



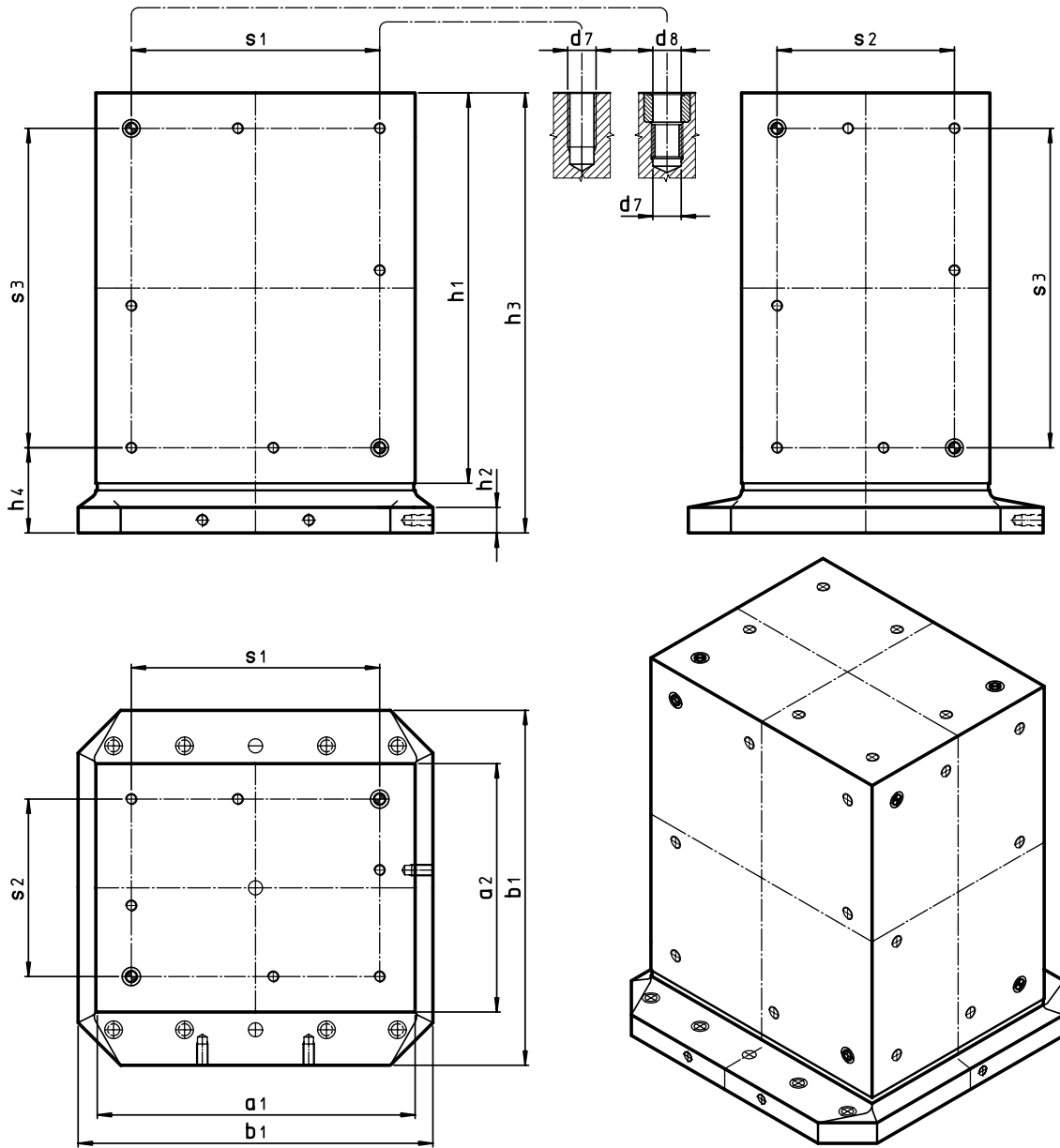
# cubi rettangolari a cinque facce, porta piastre

cubic piece-holder for plates  
cubes de support porte-plaques  
Platten-Aufspannwürfel

per pallets  
for pallets  
pour palettes  
für Paletten

DIN 55201-A1/A2  
JIS B6337

03



codice-code code-Best.Nr.	a1 ±0.015	a2 ±0.015	h1	h2	h3 ±0.05	b1 stand.	d8 F7	d7	h4 ±0.015	s1	s2	s3	piastre - plates plaques - Platten	.GG kg	.AL kg
<b>032.015</b>	350	250	350	36	420	400	12	M12	120	250	150	250	350x350/250x350/250x350	170	65
<b>032.025</b>	350	250	550	36	620	400	12	M12	120	250	150	450	350x550/250x550/250x350	230	85
<b>032.035</b>	450	350	450	36	520	500	12	M12	120	350	250	350	450x450/350x450/350x450	300	110
<b>032.045</b>	450	350	650	36	720	500	12	M12	120	350	250	550	450x650/350x650/350x450	390	145
<b>032.055</b>	550	350	550	36	625	630	12	M12	125	450	250	450	550x550/350x550/350x550	430	160
<b>032.065</b>	550	350	750	36	825	630	12	M12	125	450	250	650	550x750/350x750/350x550	525	195
<b>032.040</b>	750	450	650	36	730	800	16	M16	130	650	350	550	750x650/450x650/450x750	700	265
<b>032.050</b>	750	450	850	36	930	800	16	M16	130	650	350	750	750x850/450x850/450x750	835	310

- indicare con la richiesta le caratteristiche di interfacciamento alla macchina  
- il faut indiquer dans votre demande les caractéristiques d'interface à la machine

- on the request put the interface features to the machine  
- bei Anfrage bitte Info über die Palettenschnittstelle